

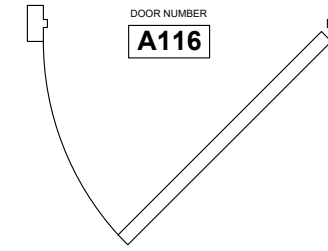
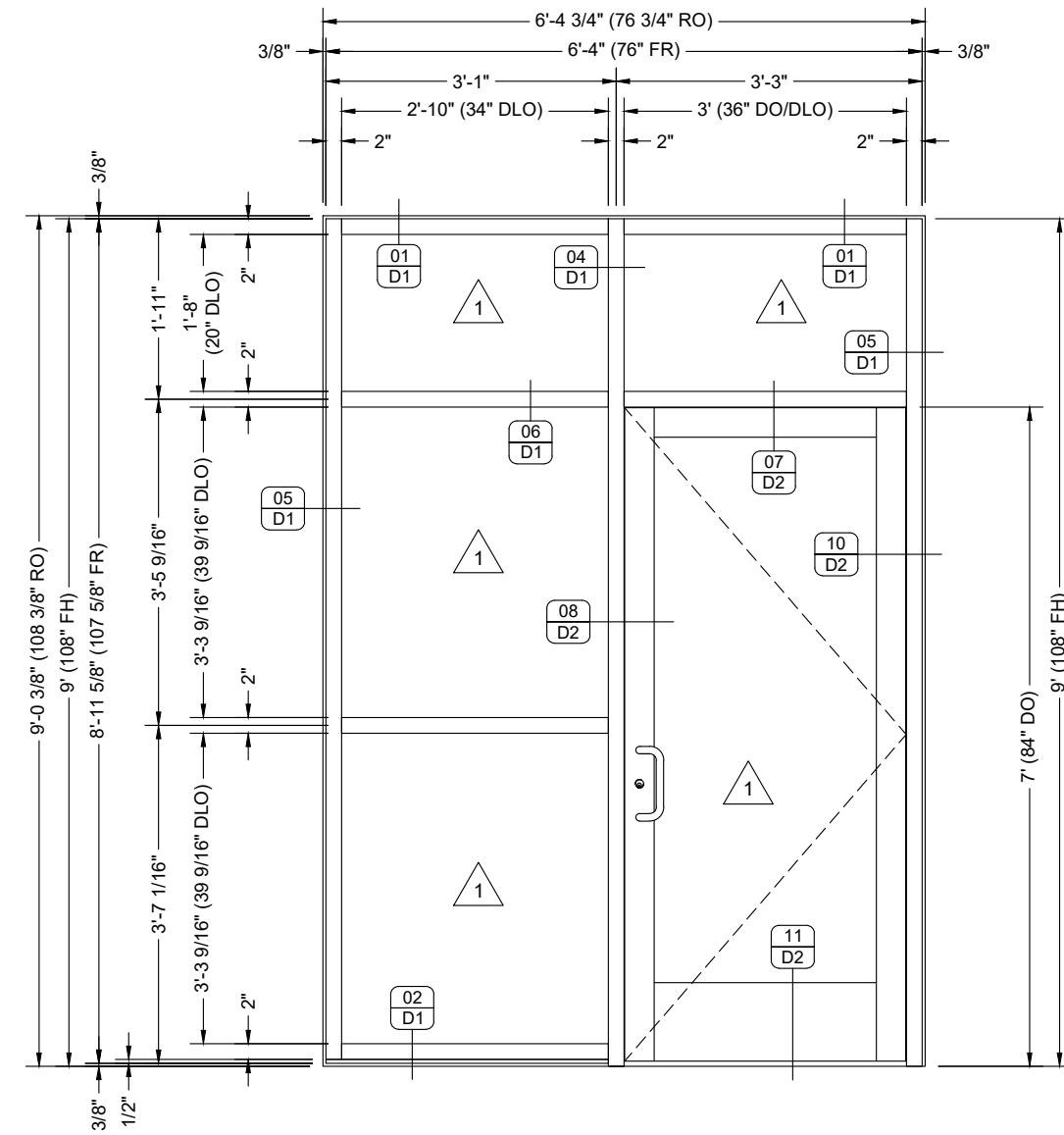
ELEVATION

SCALE: 1/2" = 1'-0"
ARCH REF: 1/A201
10/A301

18

EXT STOREFRONT

KAWNEER TRIFAB VG-451 ALUMINUM STOREFRONT
KAWNEER 350 STANDARD MEDIUM STILE DOORS ON VG-451
ALUMINUM STOREFRONT FRAMING



ELEVATION

SCALE: 1/2" = 1'-0"
ARCH REF: 1/A201

19L

EXT STOREFRONT

KAWNEER TRIFAB VG-451 ALUMINUM STOREFRONT
KAWNEER 350 STANDARD MEDIUM STILE DOORS ON VG-451
ALUMINUM STOREFRONT FRAMING

NO.	SUB	BY	DATE	DESCRIPTION
1		fp	05/01/22	First Submittal

CONTRACTOR'S GLASS PRODUCTS
7701 WEBER RD, CORPUS CHRISTI, TX 78315
WORK (361) 854-8188 FAX (361) 854-4412

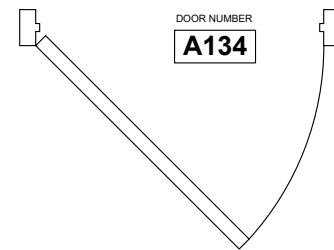
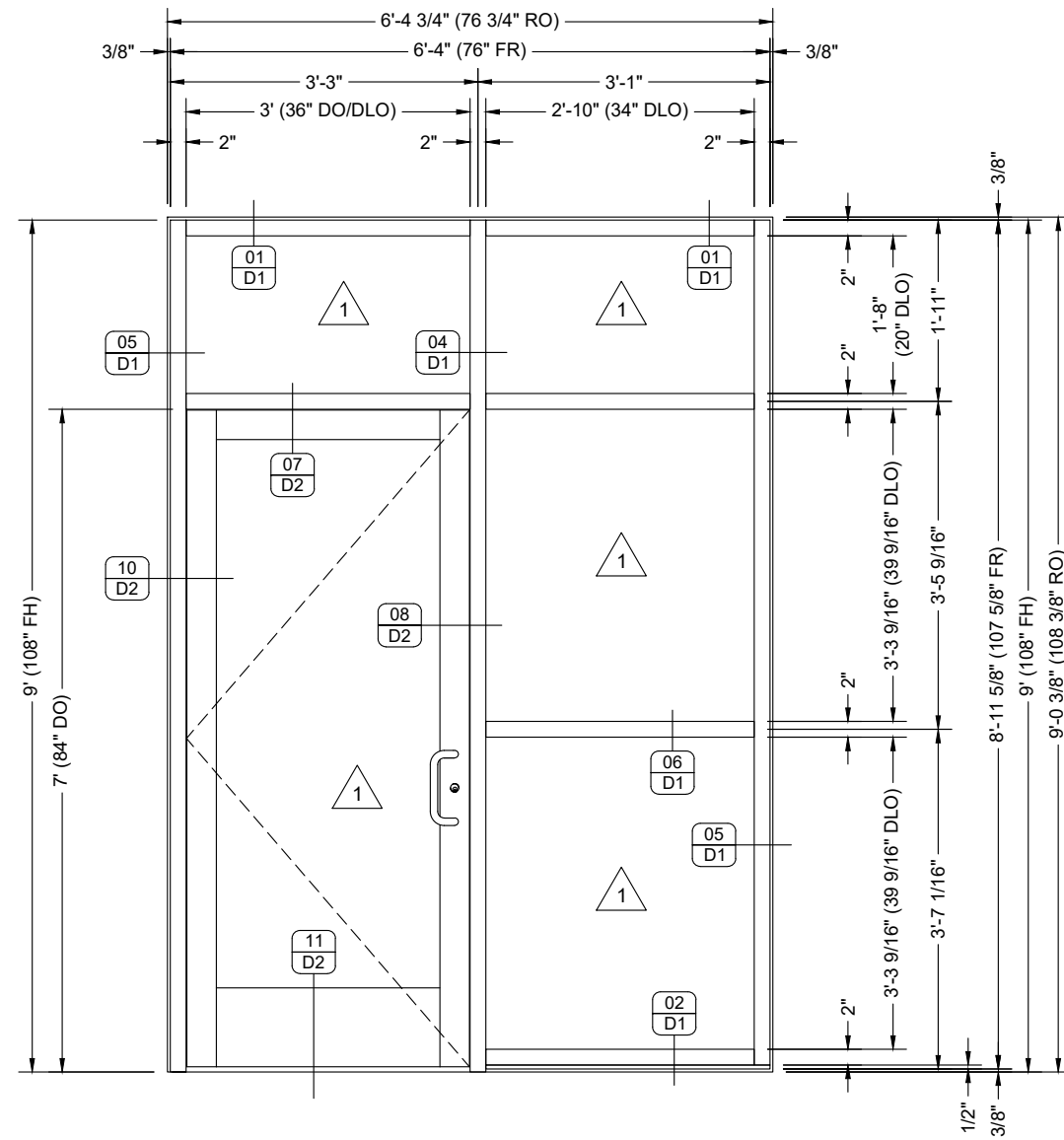
PROJECT: GEORGE WEST ISD
JUNIOR HIGH RENOVATION
ARCHITECT: LWA ARCHITECTS
(361) 684-7442
GENERAL CONTRACTOR: RUSTY VAN FLEET CONSTRUCTION, INC.
(361) 516-1034

PROJECT NO. CGP-2204-03
DRAWN BY: fp DATE: 05/01/22

SCALE: 1/2" = 1'-0"

DRAWING: ELEVATIONS

SHEET: E1

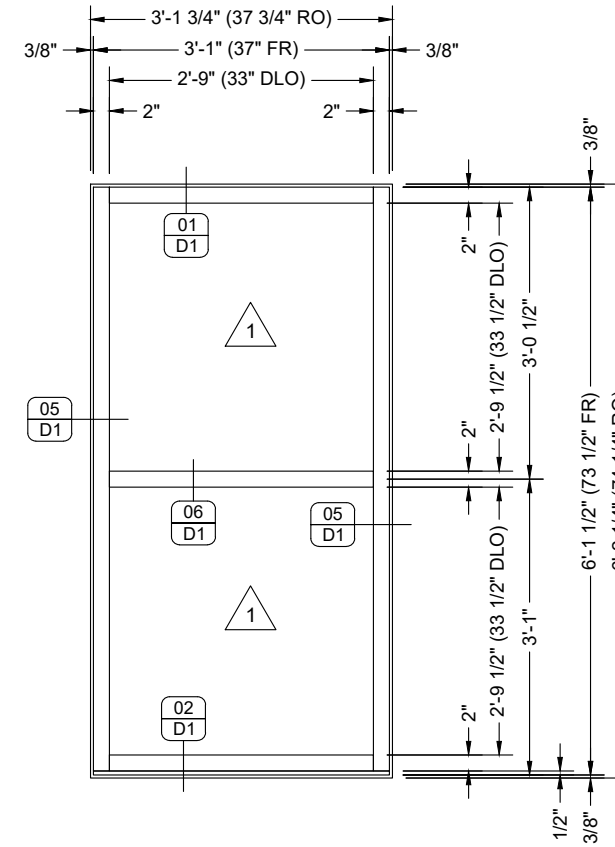


ELEVATION

SCALE: 1/2" = 1'-0"
 ARCH REF: 1/A201

19R EXT STOREFRONT

KAWNEER TRIFAB VG-451 ALUMINUM STOREFRONT
 KAWNEER 350 STANDARD MEDIUM STILE DOORS ON VG-451 ALUMINUM STOREFRONT FRAMING



ELEVATION

SCALE: 1/2" = 1'-0"
 ARCH REF: 1/A201

22A EXT STOREFRONT

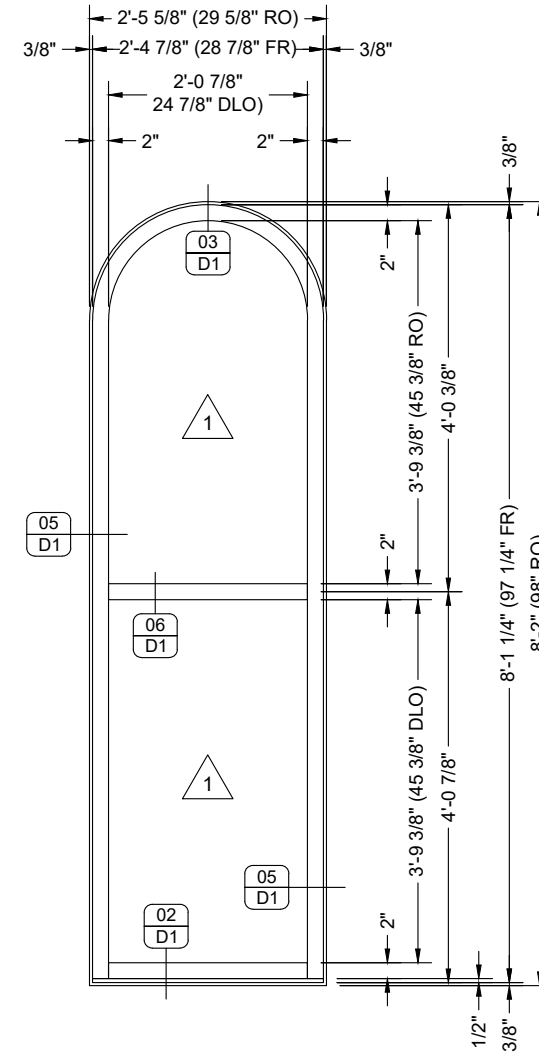
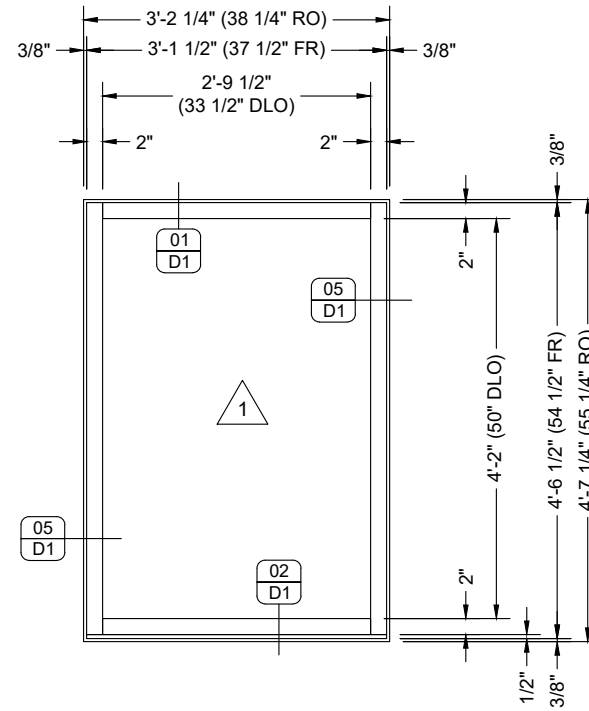
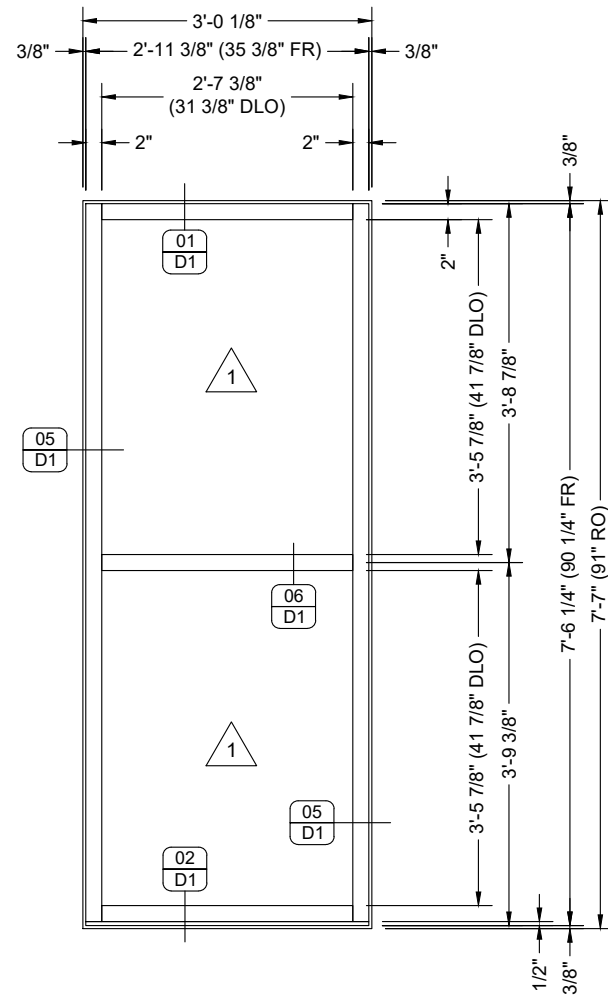
KAWNEER TRIFAB VG-451 ALUMINUM STOREFRONT

NO.	DATE	DESCRIPTION
1	05/01/22	First Submittal

CONTRACTOR'S GLASS PRODUCTS
 7701 WEBER RD, CORPUS CHRISTI, TX 78315
 WORK (361) 854-8188 FAX (361) 854-4412

PROJECT: GEORGE WEST ISD
JUNIOR HIGH RENOVATION
 ARCHITECT: LWA ARCHITECTS
 (361) 684-7442
 GENERAL CONTRACTOR: RUSTY VAN FLEET CONSTRUCTION, INC
 (361) 516-1034

PROJECT NO. CGP-2204-03	
DRAWN BY fp	DATE 05/01/22
SCALE 1/2" = 1'-0"	
DRAWING ELEVATIONS	
SHEET E2	



ELEVATION

SCALE: 1/2" = 1'-0"
 ARCH REF: 1/A201



EXT STOREFRONT

KAWNEER TRIFAB VG-451 ALUMINUM STOREFRONT

ELEVATION

SCALE: 1/2" = 1'-0"
 ARCH REF: 1/A201



EXT STOREFRONT

KAWNEER TRIFAB VG-451 ALUMINUM STOREFRONT

ELEVATION

SCALE: 1/2" = 1'-0"
 ARCH REF: 1/A201



EXT STOREFRONT

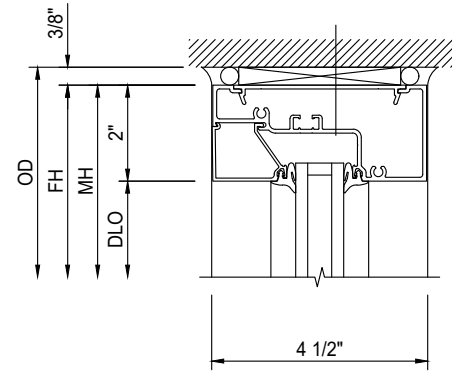
KAWNEER TRIFAB VG-451 ALUMINUM STOREFRONT

NO.	DATE	DESCRIPTION
1	05/01/22	First Submittal

CONTRACTOR'S GLASS PRODUCTS
 7701 WEBER RD, CORPUS CHRISTI, TX 78315
 WORK (361) 854-8188 FAX (361) 854-4412

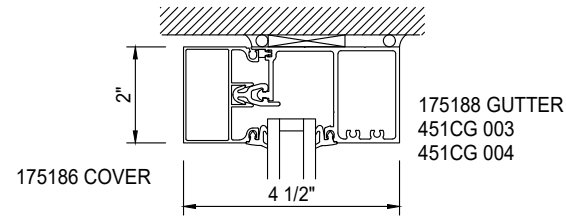
PROJECT: GEORGE WEST ISD
JUNIOR HIGH RENOVATION
 ARCHITECT: LWA ARCHITECTS
 (361) 664-7442
 GENERAL CONTRACTOR: RUSTY VAN FLEET CONSTRUCTION, INC
 (361) 516-1034

PROJECT NO. CGP-2204-03	
DRAWN BY fp	DATE 05/01/22
SCALE 1/2" = 1'-0"	
DRAWING ELEVATIONS	
SHEET E3	



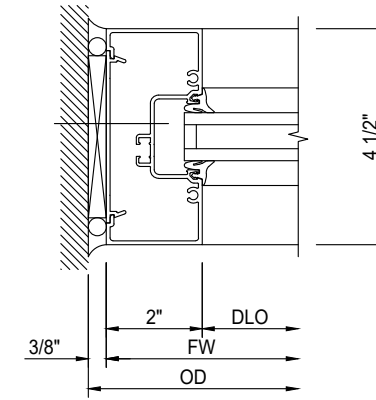
451CG003 HORIZONTAL
 451CG004 GLASS STOP
 450126 SHIM SUPPORT

DETAIL 01 HEAD
 SCALE: 3" = 1'-0"
 ARCH REF: N/A
 KAWNEER TRIFAB VG-452 STOREFRONT



175188 GUTTER
 451CG 003
 451CG 004

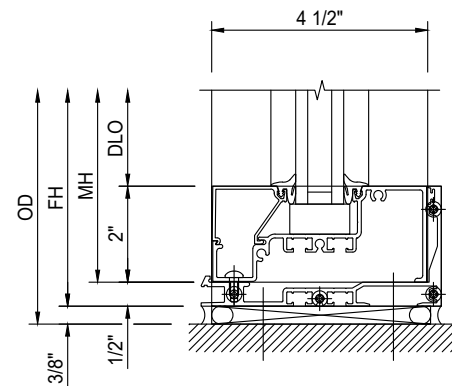
DETAIL 03 CURVED HEAD
 SCALE: 3" = 1'-0"
 ARCH REF: N/A
 KAWNEER TRIFAB VG-452 STOREFRONT



451CG001 MULLION/JAMB/SILL
 450126 SHIM SUPPORT

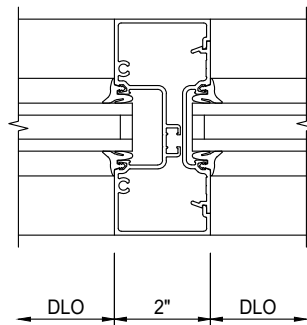
DETAIL 05 JAMB
 SCALE: 3" = 1'-0"
 ARCH REF: N/A
 KAWNEER TRIFAB VG-452 STOREFRONT

451CG014 SILL
 451CG004 GLASS STOP
 451VG316 END DAM
 451VG037 HP SILL FLASHING
 128407 10 x 7/16" TYPE I CRPHTFS "B"
 028808 #8 x 1/2" PHTF "AB"

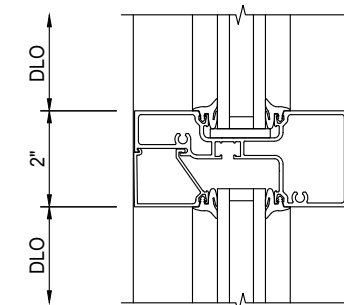


DETAIL 02 SILL
 SCALE: 3" = 1'-0"
 ARCH REF: N/A
 KAWNEER TRIFAB VG-452 STOREFRONT

451CG001 MULLION/JAMB/SILL
 451CG002 POCKET FILLER



DETAIL 04 VERTICAL
 SCALE: 3" = 1'-0"
 ARCH REF: N/A
 KAWNEER TRIFAB VG-452 STOREFRONT



451CG011 TUBULAR HORIZONTAL
 451CG004 GLASS STOP

DETAIL 06 HORIZONTAL
 SCALE: 3" = 1'-0"
 ARCH REF: N/A
 KAWNEER TRIFAB VG-452 STOREFRONT

NO.	DATE	BY	DESCRIPTION
1	05/01/22	fp	First Submittal

CONTRACTOR'S GLASS PRODUCTS
 7701 WEBER RD, CORPUS CHRISTI, TX 78315
 WORK (361) 854-8188 FAX (361) 854-4412

PROJECT: GEORGE WEST ISD
JUNIOR HIGH RENOVATION
 ARCHITECT: LWA ARCHITECTS
 (361) 684-7442
 GENERAL CONTRACTOR: RUSTY VAN FLEET CONSTRUCTION, INC
 (361) 516-1034

PROJECT NO.	CGP-2204-03
DRAWN BY	fp
DATE	05/01/22
SCALE	3" = 1'-0"
DRAWING	DETAILS
SHEET	D1